

CAMPING & MAKING PATROL BOXES

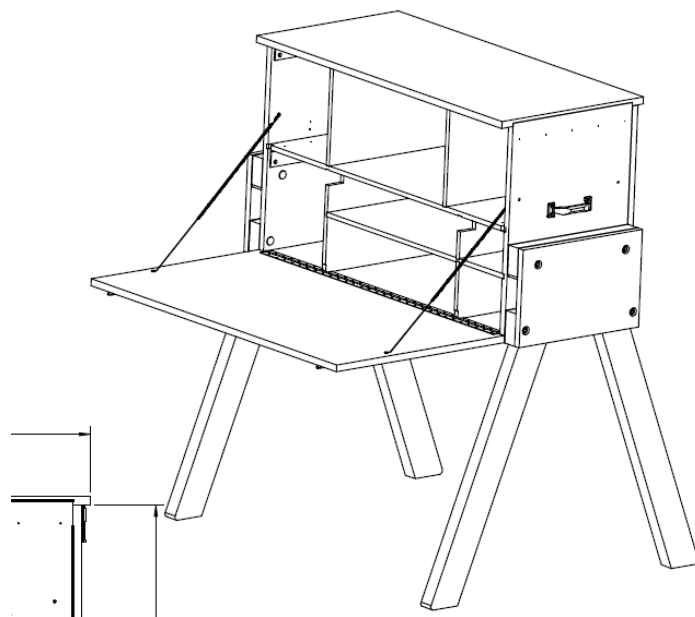
WHEN: Friday, August 28th at 6:00 pm
Sunday, August 30th at 9:00 am

WHAT: We will be assembling and finishing the patrol boxes. We will also be attending Craig's Eagle Ceremony

WHERE: Zach Walker's House

COST: \$10.00 (for food)

HOW: Sign up. Bring standard camping gear. Bring full Class A for Eagle Ceremony.



The coordinator for this outing is Andy Messmer. If you have any questions please contact him at home at 704-932-2465 or on his cell phone at 704-361-2049. As always, if there are any families needing financial assistance, please contact the outing coordinator. We have separate funds set aside to make sure no boy misses a Scouting opportunity because of money.

Camping & Making Patrol Boxes

Date: Friday, August 28th, 6:00 pm – , August 30th, 9:00 am

Cost: \$10.00 (for food)

I, _____, commit to attending this outing with Troop 128.

Scout's name

Scout's signature

Parent/Guardian signature

Other Comments:

CONCORD, NORTH CAROLINA